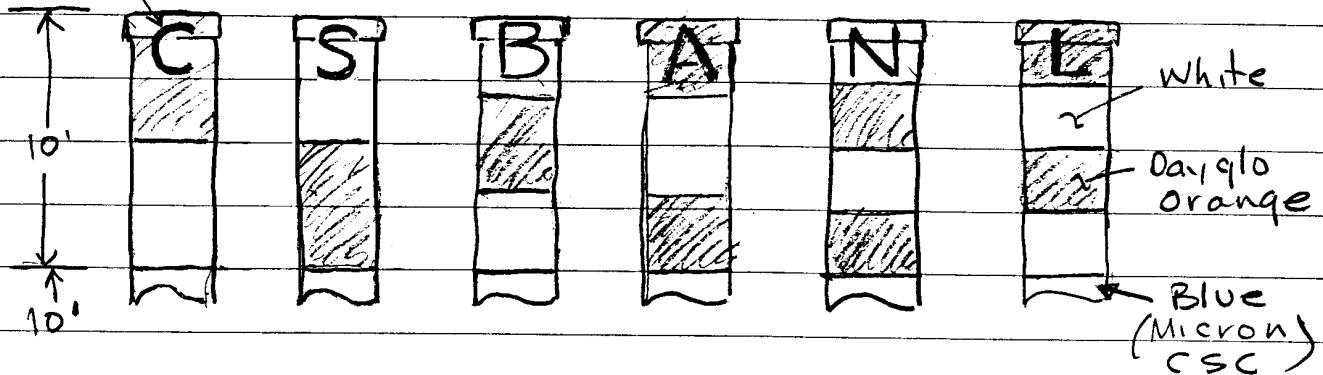
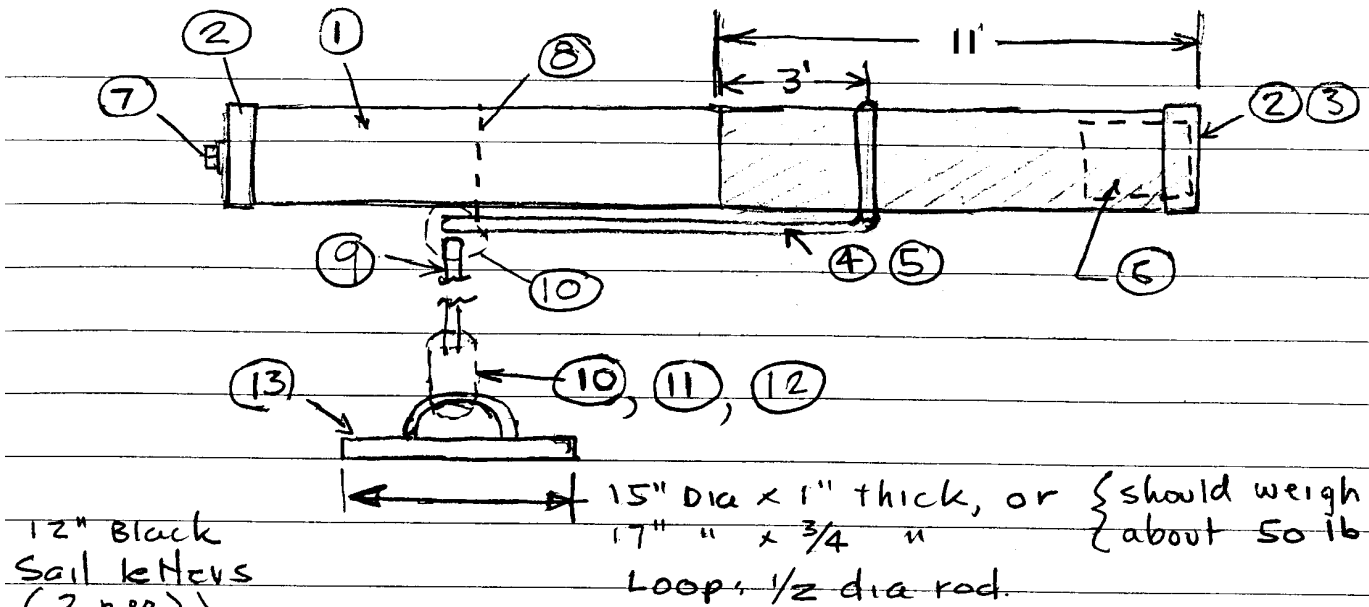


RACING MARK



- ① 12" Dia x 20' PVC sewer pipe
- ② 12" PVC end cap, cement to bottom. Top for 1" pipe plug in top. Don't cement to p
- ③ Silicone marine grade adhesive.
- ④ Bridle cham, 1/4 x 11'. Bolt in pos. shown.
- ⑤ 3/8 x 3" Hex hd bolt, nut, 2 washers
- ⑥ 180 lb portland cement. Cure, flat mark, add water to establish blue 2' above water at dock.
- ⑦ 1" PVC pipe plug
- ⑧ 1/4 x 5' tie line, secure bridle for towing.
- ⑨ 3/16 x 80' anchor chain
- ⑩ 1/4" clevis
- ⑪ 3/8 clevis
- ⑫ Swivel
- ⑬ Anchor - see detail.

Supplies

- 5 5" brushes
- 5 3" brushes
- 5 80 grit sand paper
- 1 pt. black paint
- 1 qt. orange paint
- 1 gal. bottom paint
- 6 3" by 3/8" bolts, with nuts and washers